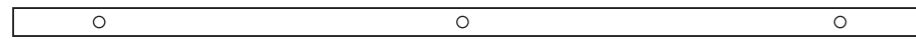
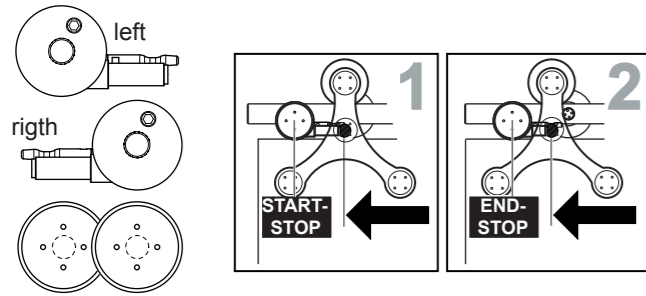


1 Set sliding door fittings Tritec

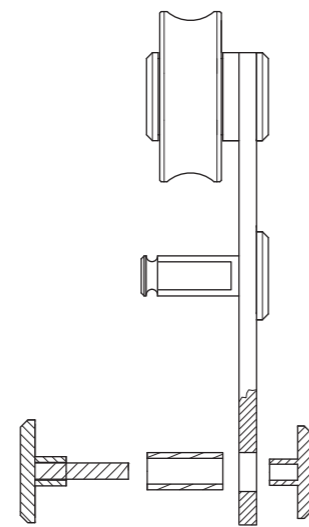
2 Guide rail



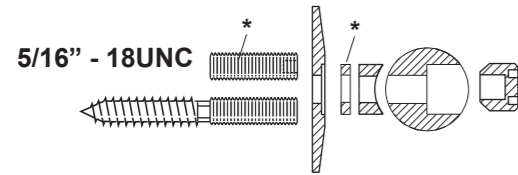
3 Door stoppers Soft-Tec



4 Trolley complete

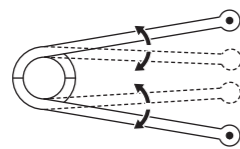


5 Wall fixtures
(without screws and dowels, at construction site)

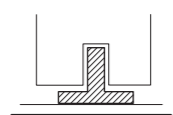


* not included in scope of delivey

6 Special tool



7 Bottom guide
(without screws and dowels, at construction site)



Set Tritec	Set / Each					
1 Art.-No.	2	3	4	5	6	7
USU65DS-1800EF	1	2	2	3	1	1
USU65DS-2100EF	1	2	2	4	1	1
USU65DS-2300EF	1	2	2	4	1	1
USU65DS-2540EF	1	2	2	4	1	1

! Comply with all general safety regulations when installing the sliding door fittings!

Installation to be completed by qualified licensed contractor.

Be sure to tighten all screw connections one week after starting to use the sliding door fittings!

Never use scouring agents to clean the sliding door fittings; rather use commercially available stainless-steel cleaners!

ABP beyerle

Beyerle US L.L.C.

5126 South Royal Atlanta Drive, Tucker, GA 30084, USA

Phone (770) 349 - 6324, Fax (770) 934 - 3384, mail: info@beyerle-us.com, www.beyerle-us.com



Attention



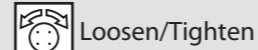
Screw on



Screw on



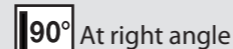
Screw on



Loosen/Tighten



Install



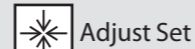
At right angle



Drill



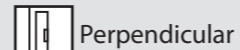
Dowels



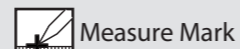
Adjust Set



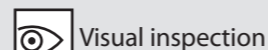
Level



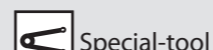
Perpendicular



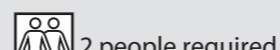
Measure Mark



Visual inspection



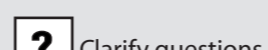
Special-tool



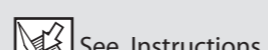
2 people required



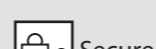
Measure



Clarify questions



See Instructions



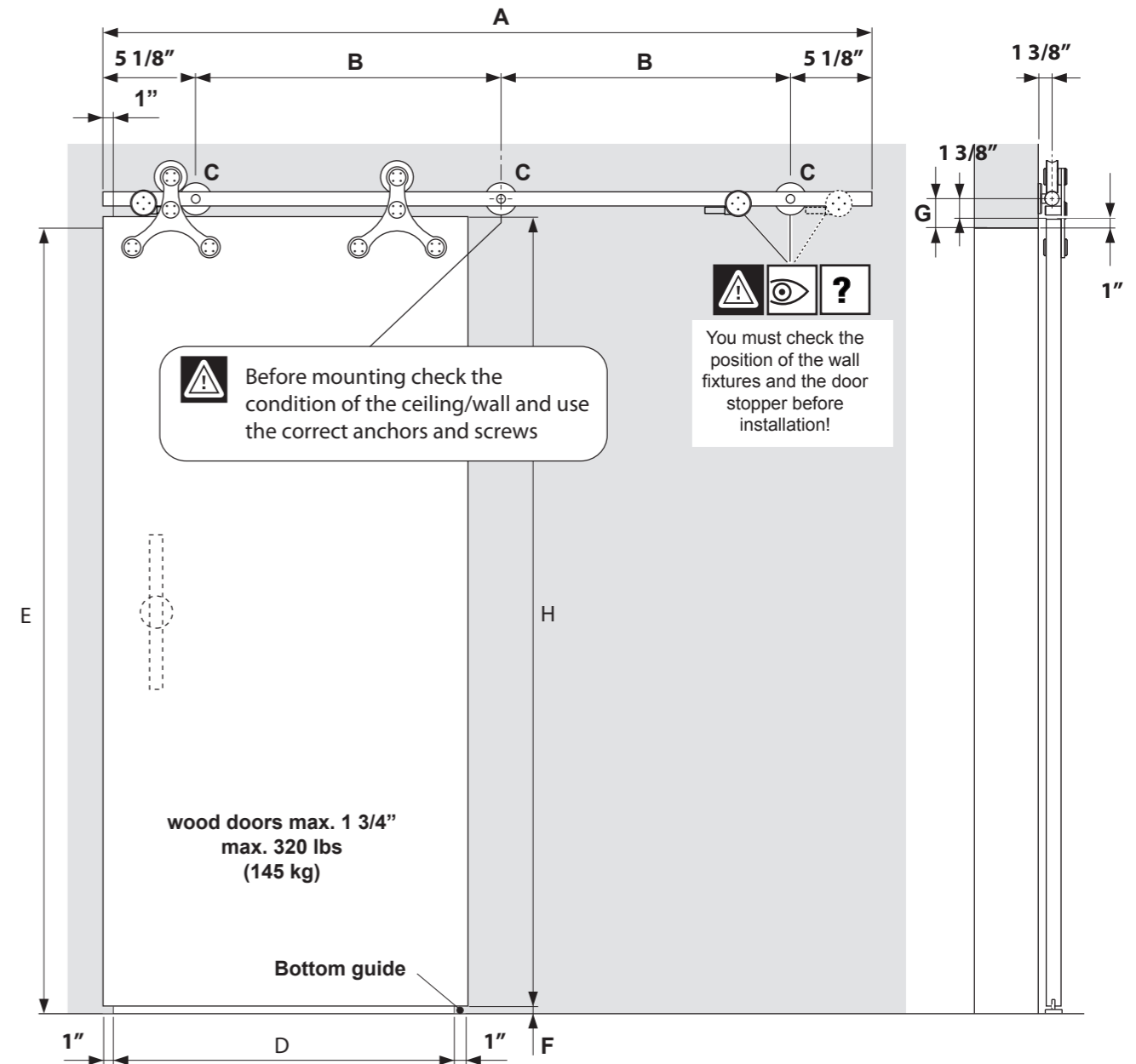
Secure

65 30 00.0148_Tritec_wood_DS-092015jb

Installation instructions

Sliding door fittings Tritec

for wood doors (max. 1 3/4") with Soft-Tec Stopper



Complete-Set's

	A Inch	B Inch	C each	D Inch	E max.Inch	F Inch	G Inch	H max. Inch (H = E - F + 1")
USU65DS-1800EF	70 7/8"	30 3/16"	3	29 1/2" - 35 7/16"	98 7/16"	1/4" - 3/8"	2 3/8"	99 1/8"
USU65DS-2100EF	82 11/16"	24 1/8"	4	35 13/16" - 39 3/8"	98 7/16"	1/4" - 3/8"	2 3/8"	99 1/8"
USU65DS-2300EF	90 9/16"	26 3/4"	4	39 3/4" - 44 1/16"	98 7/16"	1/4" - 3/8"	2 3/8"	99 1/8"
USU65DS-2540EF	100"	29 15/16"	4	44 1/2" - 49 3/16"	98 7/16"	1/4" - 3/8"	2 3/8"	99 1/8"

Right to make technical changes reserved - Dimensions in Inch - Version 10.2015

© by ABP-Beyerle GmbH

ABP beyerle

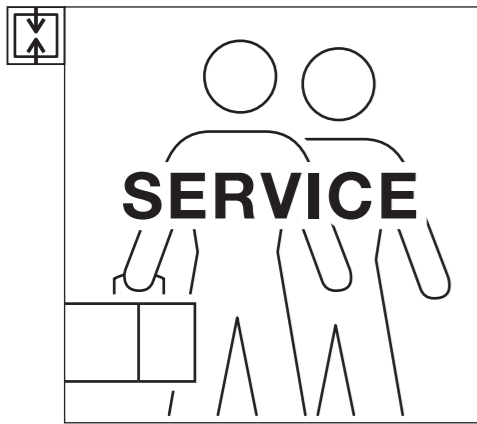


Abb. 1

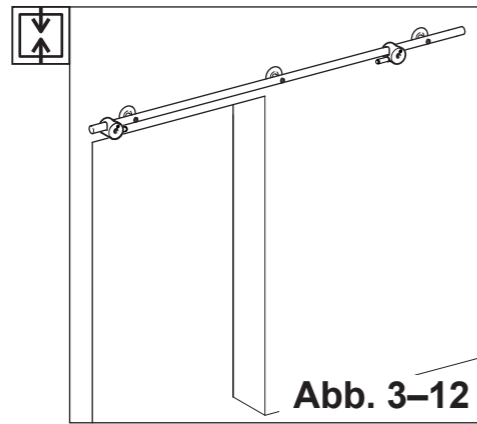


Abb. 2

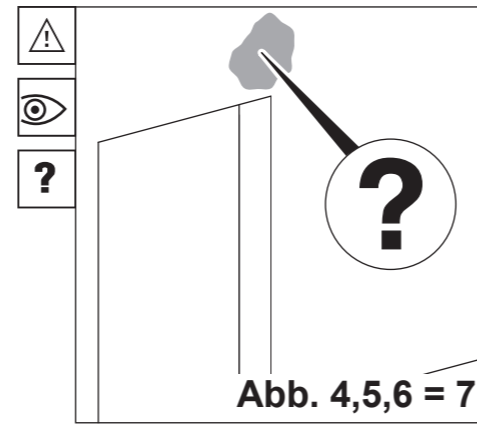


Abb. 3

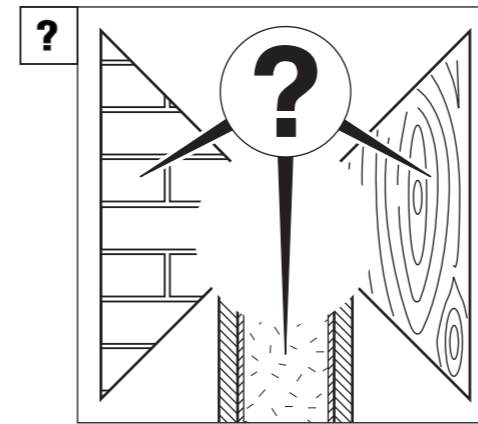


Abb. 4

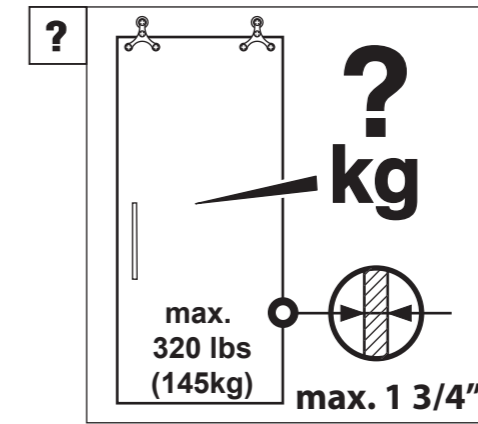


Abb. 5

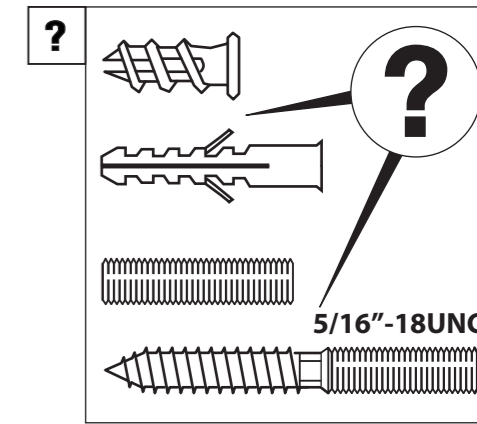


Abb. 6

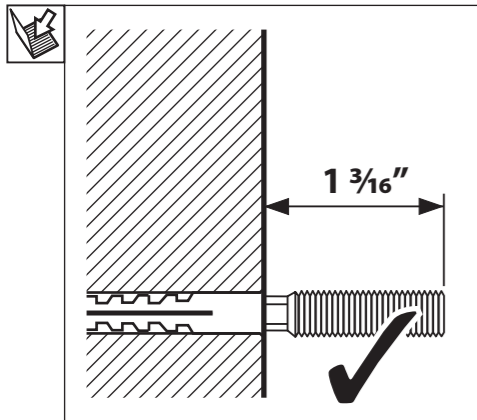


Abb. 7

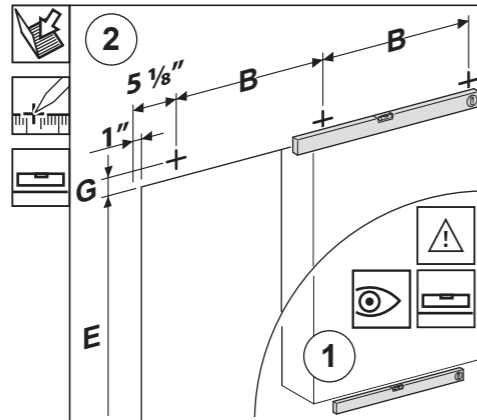


Abb. 8

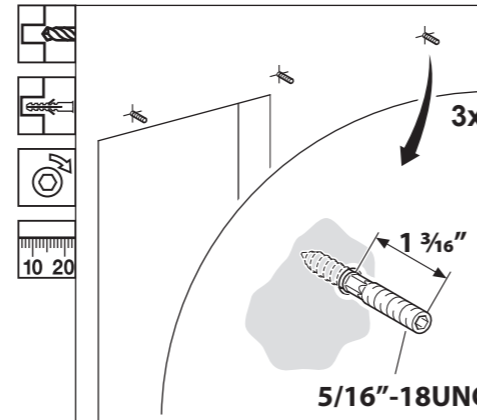


Abb. 9

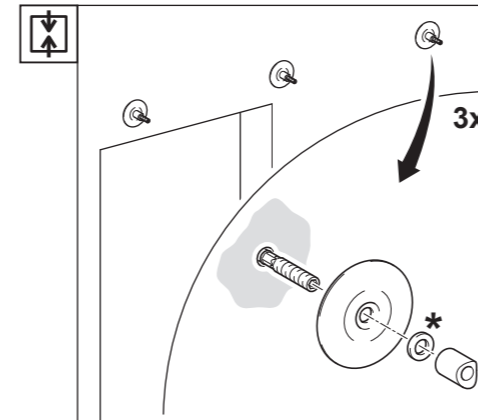


Abb. 10

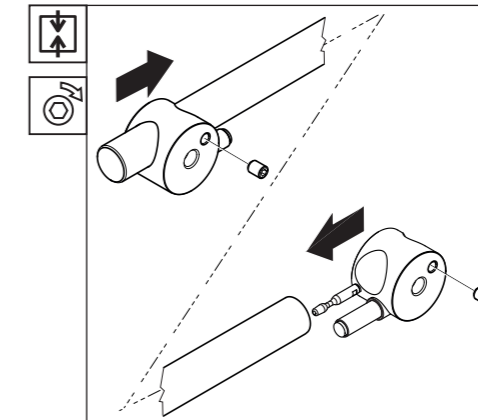


Abb. 11

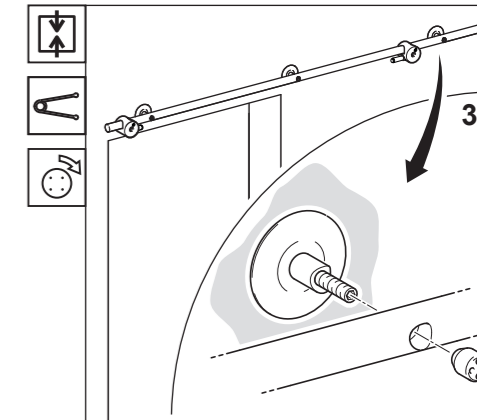


Abb. 12

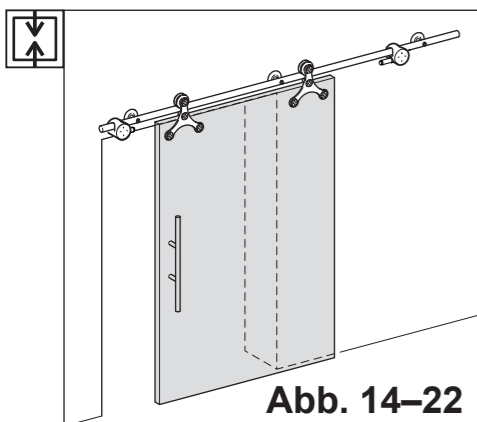


Abb. 13

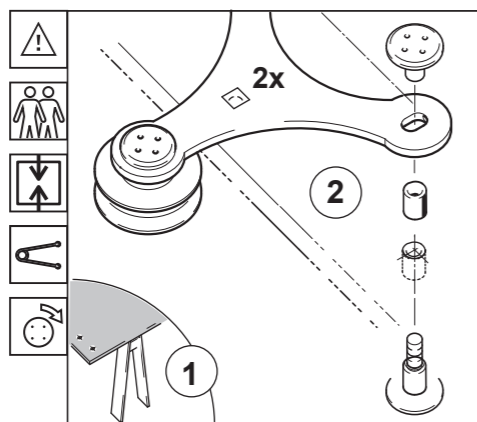


Abb. 14

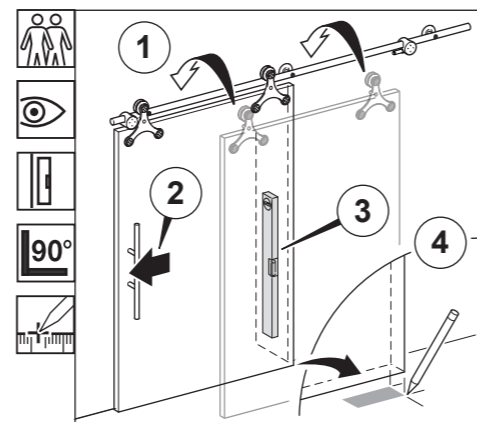


Abb. 15

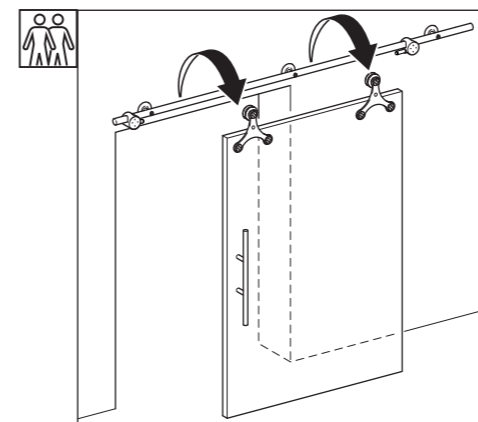


Abb. 16

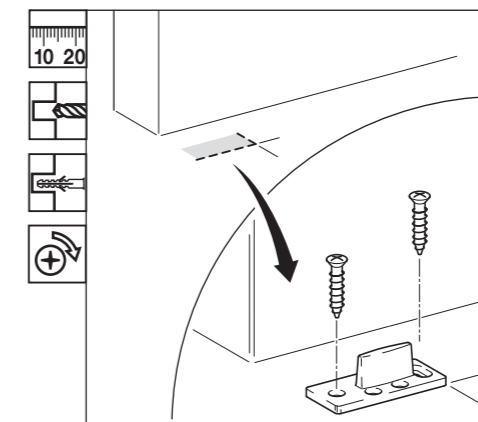


Abb. 17

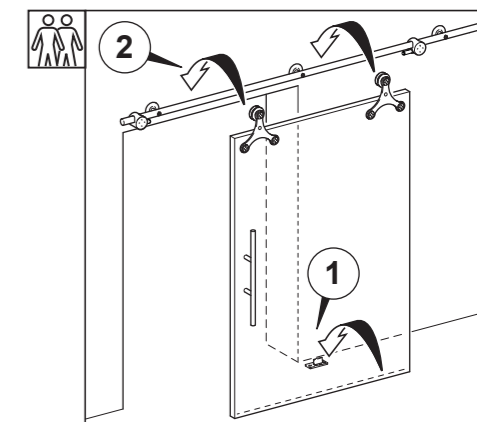


Abb. 18

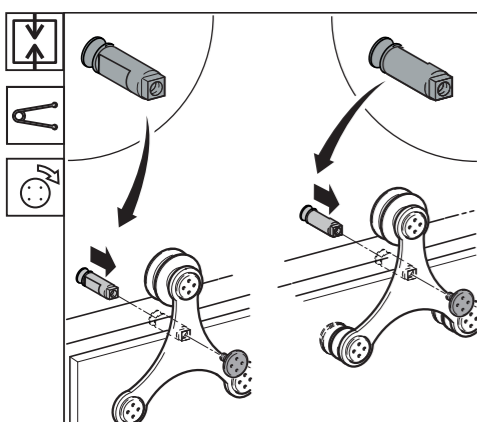


Abb. 19

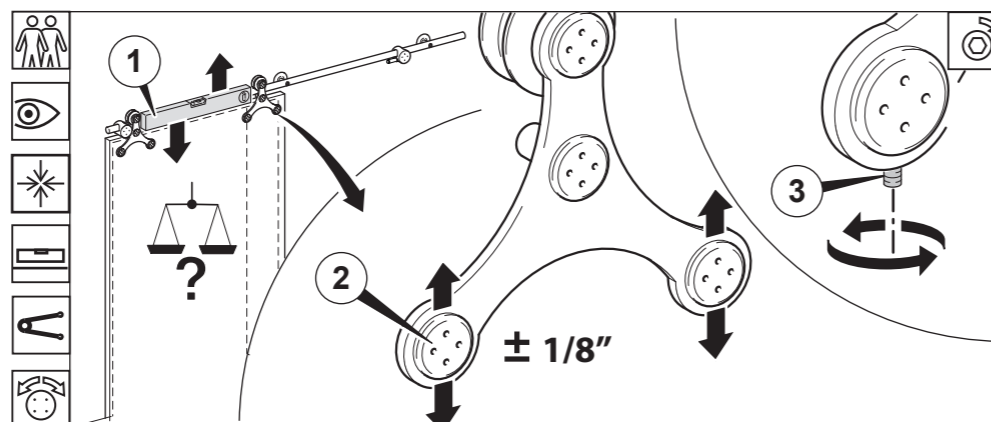


Abb. 20

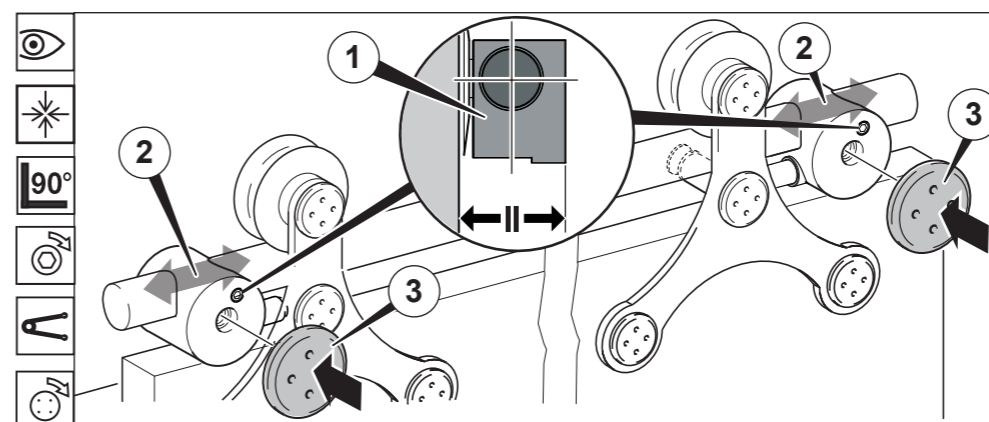


Abb. 21

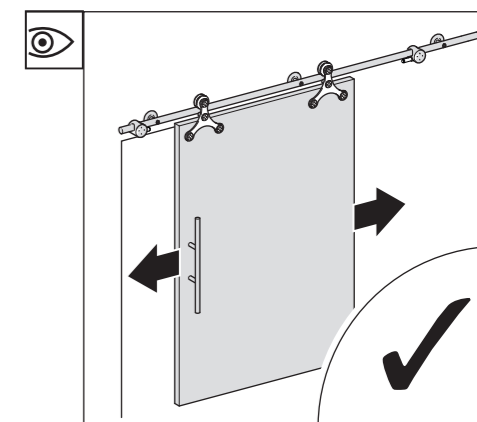


Abb. 22